

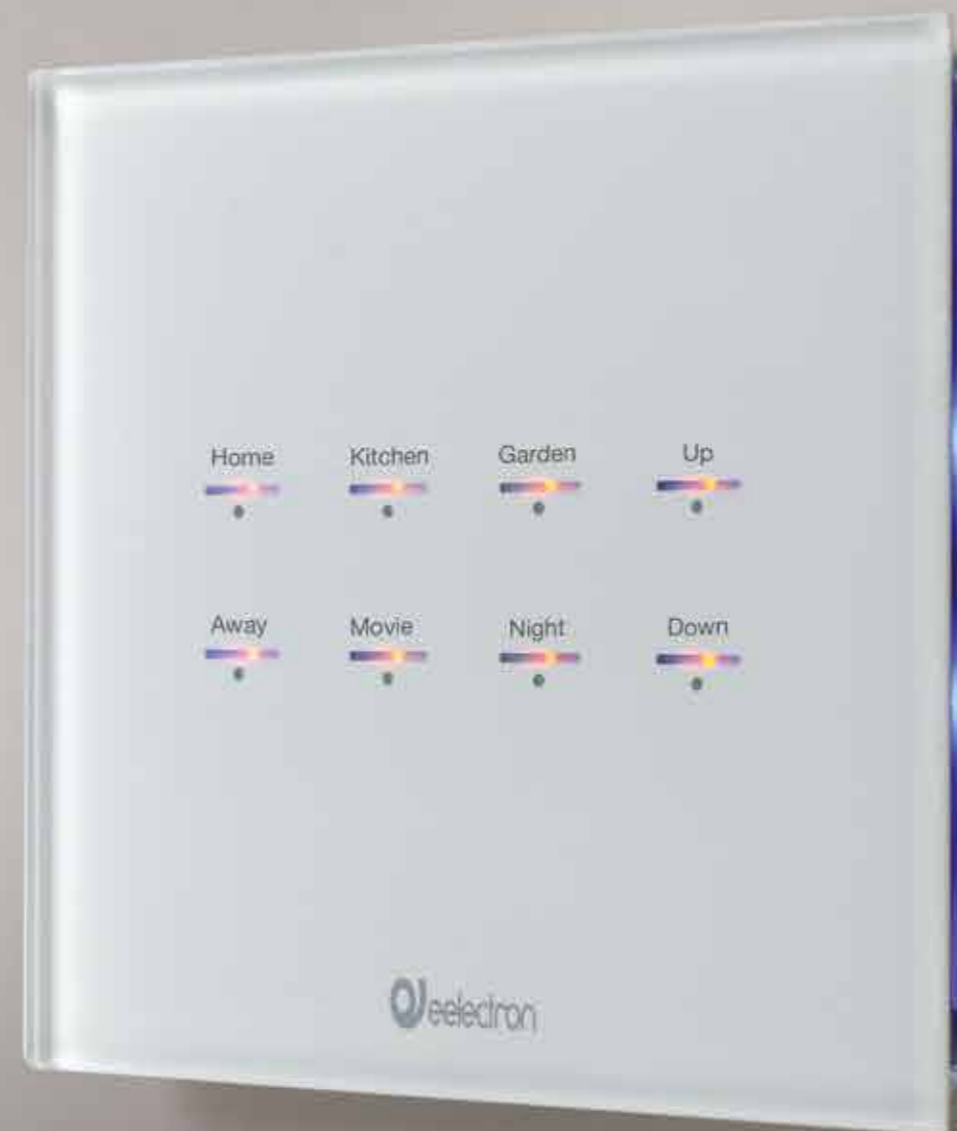


GlassPad

New line of switches with glass frame all in KNX.

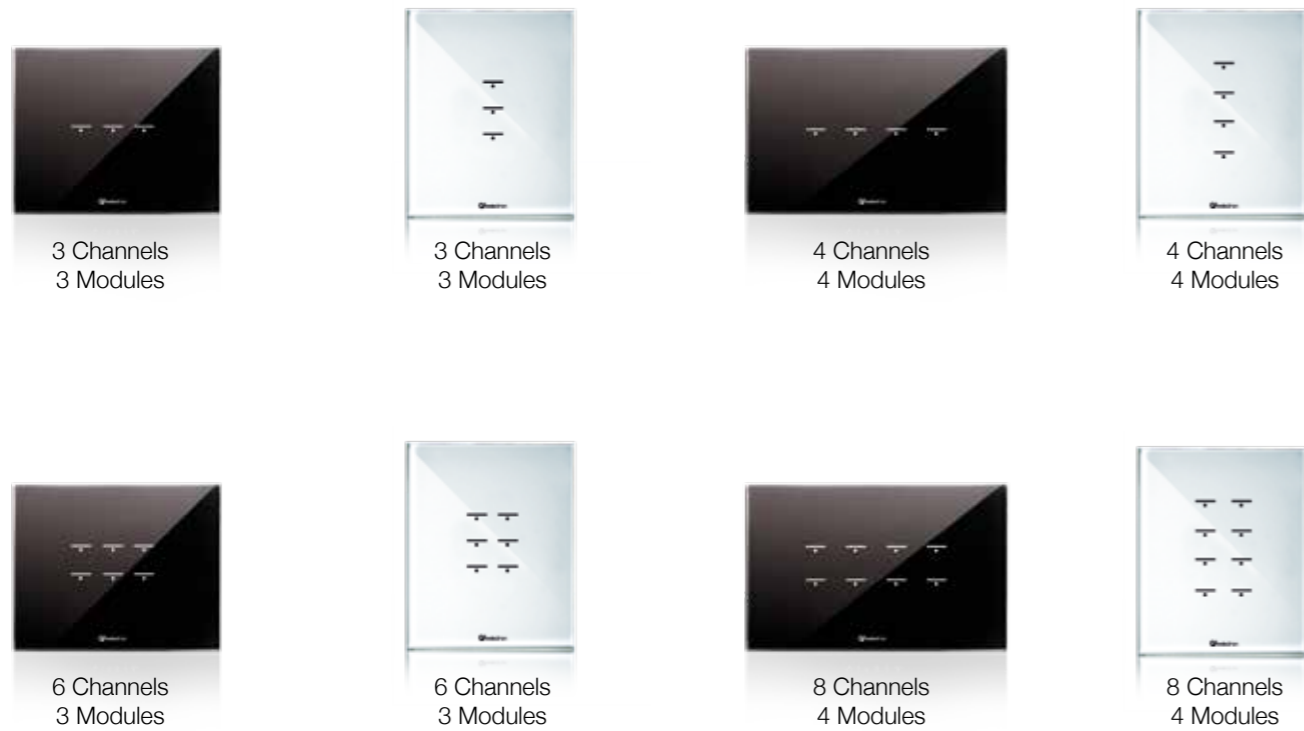
Available in 4 different models:

- 3/6 channels on 3 module
- 4/8 channels in 4 module
- Horizontal or vertical installation.
- Innovative, elegant and easy to install.



Official eelectron distributor in UK
HOME OF TECHNOLOGIES LIMITED
 Tempo House, 15 Falcon Road
 London SW11 2PJ
 United Kingdom
 T +44 (0)207 9988 252
 E office@homeoftechnologies.com
 www.homeoftechnologies.com

Colours



- KNX BCU Embedded
- Blue night light Led

All in 

GLASS SWITCH KNX 3-6 CHANNELS (3 MODULES) / 4-8 CHANNELS (4 MODULES)

The GlassSwitch KNX is available in 2 colours (White and Black). This product include 4 different features: 3 and 6 channels on 3 modules inwall box or 4 and 8 channels on 4 modules inwall box. Every products of the range have led signalling for each channels and can be installed vertically or in horizontal. Pression on the switch can be long or shor and it can manage scenarios or sequences. The customizaiton of glass colour , textes and icons for residential and building field is available on demand. The products if fully programmable with ETS.

TECHNICAL FEATURES

- Capacitive KNX switch - 3 channels - 3 Modules
- Capacitive KNX switch - 6 channels - 3 Modules
- Capacitive KNX switch - 4 channels - 4 Modules
- Capacitive KNX switch - 8 channels - 4 Modules
- Capacitive glass switch - 3 channels - 3 Modules - Horizontal - white
- Capacitive glass switch - 3 channels - 3 Modules - Horizontal - black
- Capacitive glass switch - 3 channels - 3 Modules - Vertical - white
- Capacitive glass switch - 3 channels - 3 Modules - Vertical - black
- Capacitive glass switch - 6 channels - 3 Modules - Horizontal - white
- Capacitive glass switch - 6 channels - 4 Modules - Horizontal - black
- Capacitive glass switch - 6 channels - 3 Modules - Vertical - white
- Capacitive glass switch - 6 channels - 3 Modules - Vertical - Black
- Capacitive glass switch - 4 channels - 4 Modules - Horizontal - white
- Capacitive glass switch - 4 channels - 4 Modules - Horizontal - black
- Capacitive glass switch - 4 channels - 4 Modules - Vertical - white
- Capacitive glass switch - 4 channels - 4 Modules - Vertical - black
- Capacitive glass switch - 8 channels - 4 Modules - Horizontal - white
- Capacitive glass switch - 8 channels - 4 Modules - Horizontal - black
- Capacitive glass switch - 8 channels - 4 Modules - Vertical - white
- Capacitive glass switch - 8 channels - 4 Modules - Vertical - Black

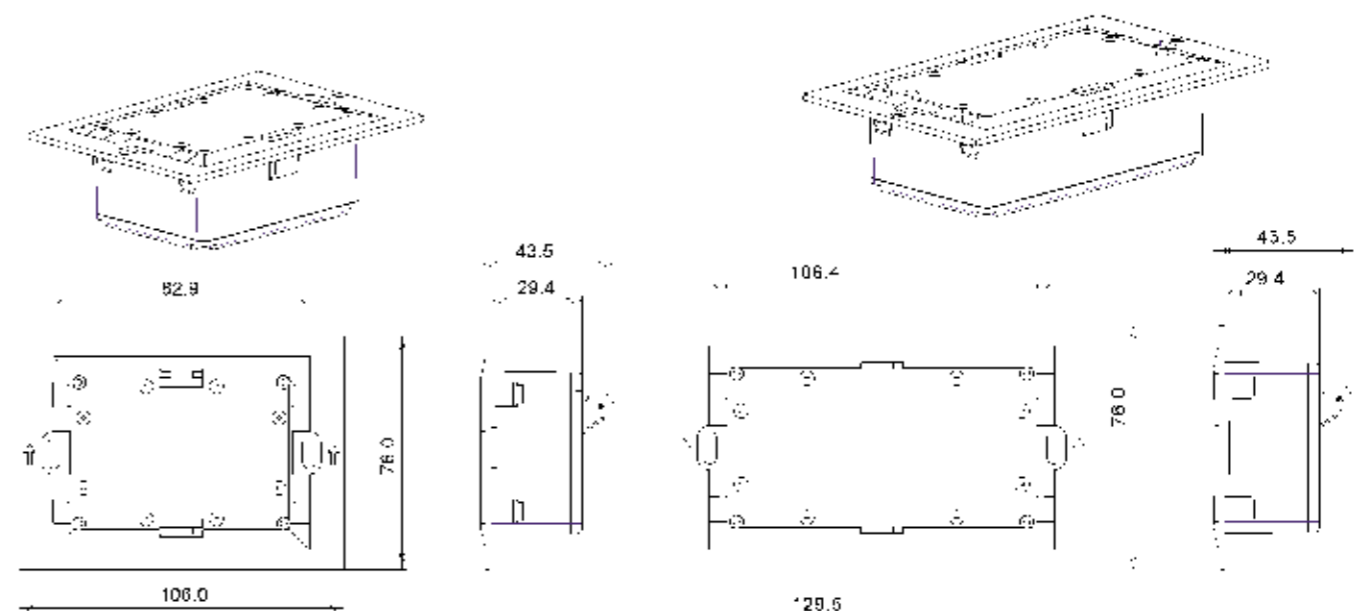
- GP03A03KNX
- GP06A03KNX
- GP04A04KNX
- GP08A04KNX
- GL03H03ACC-1
- GL03H03ACC-3
- GL03V03ACC-1
- GL03V03ACC-3
- GL06H03ACC-1
- GL06H03ACC-3
- GL06V03ACC-1
- GL06V03ACC-3
- GL04H04ACC-1
- GL04H04ACC-3
- GL04V04ACC-1
- GL04V04ACC-3
- GL08H04ACC-1
- GL08H04ACC-3
- GL08V04ACC-1
- GL08V04ACC-3

TECHNICAL FEATURES

- Dimensions**
 - 140 mm x 96 mm or 120 x 96 mm
- Mounting**
 - Inwall mounting on squared or round boxes
- Connection**
 - EIB/KNX bus connecting terminal 2 of 0.8 mmo
- Supply**
 - Through the wire EIB/KNX
 - Tension 21..30V DC
 - Current Consumption <10mA

- FEATURES Input**
 - Inputs: 3,4,6,8
- FEATURES Output**
 - Number: 3,4,6,8 white led

Technical Features



Features

The GlassPad is composed by 4 total models, all in KNX, that includes:

- 3 channels on 3 modules / horizontal or vertical
- 6 channels on 3 modules / horizontal or vertical
- 4 channels on 4 modules / horizontal or vertical
- 8 channels on 3 modules / horizontal or vertical

The whole range of products manages:

- Lights
- Dimmers
- Shutters/Blinds
- Scenarios
- Audio

Every products include amber led signaling for every channels. A blue led light surrounds and illuminates behind the GlassPad.

Safety

In order to ensure a long lasting product and maximum customer satisfaction Eelectron Spa uses only the premium quality of components and material.

Colours

The range is composed by 2 different colors - white or black - and can be personalized using icons, texts or logos.

Simplicity

A very quick and simple installations is one of the main feature of the new GlassPad from Eelectron Spa. The range can be installed on 3 or 4 modules in wall boxes.